

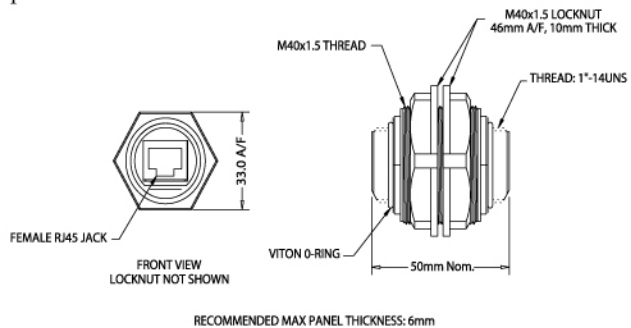


# Physical Media



## Bulkhead Passthrough with dual IP67 connections

Jacks on both ends mate with RJ-Lnxx® cordsets to form a sealed connection. Perfect for applications where localized Ethernet connectivity is required, but the addition of an enclosure would be cost prohibitive ▲



Part Number	Description
RJBG17946	Bulkhead passthrough, dual IP67 connections



## Backend Protective Cover

Provides environmental protection from dirt and debris, and additional structural support for the back end connection. The slotted design enables a cable and RJ-45 to exit the cover. This accessory replaces the lock nut that comes with the receptacle for panel mounting ▲

Part Number	Description
RJBG17756	Backend protective cover